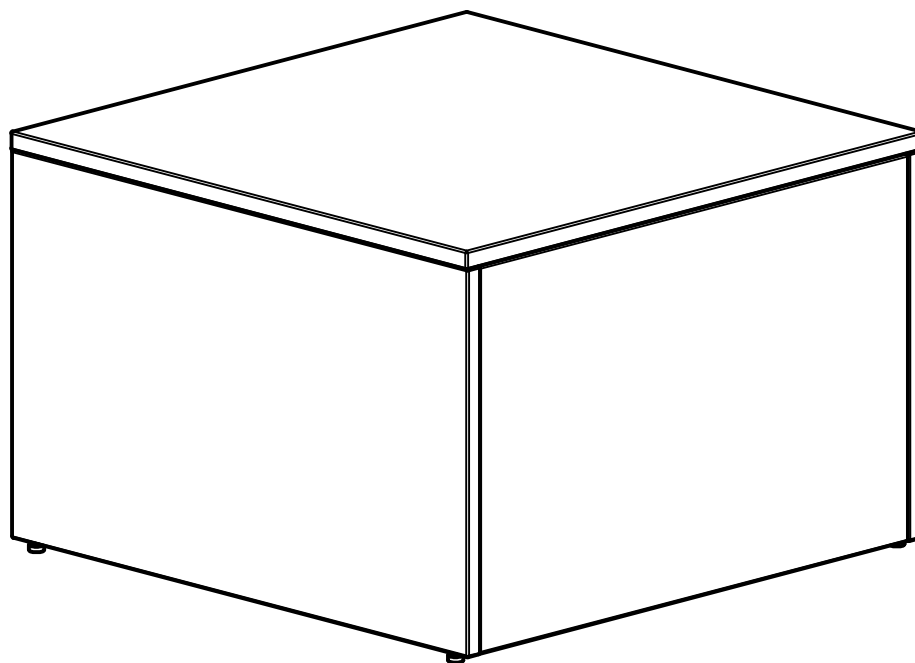


Assembly Guide

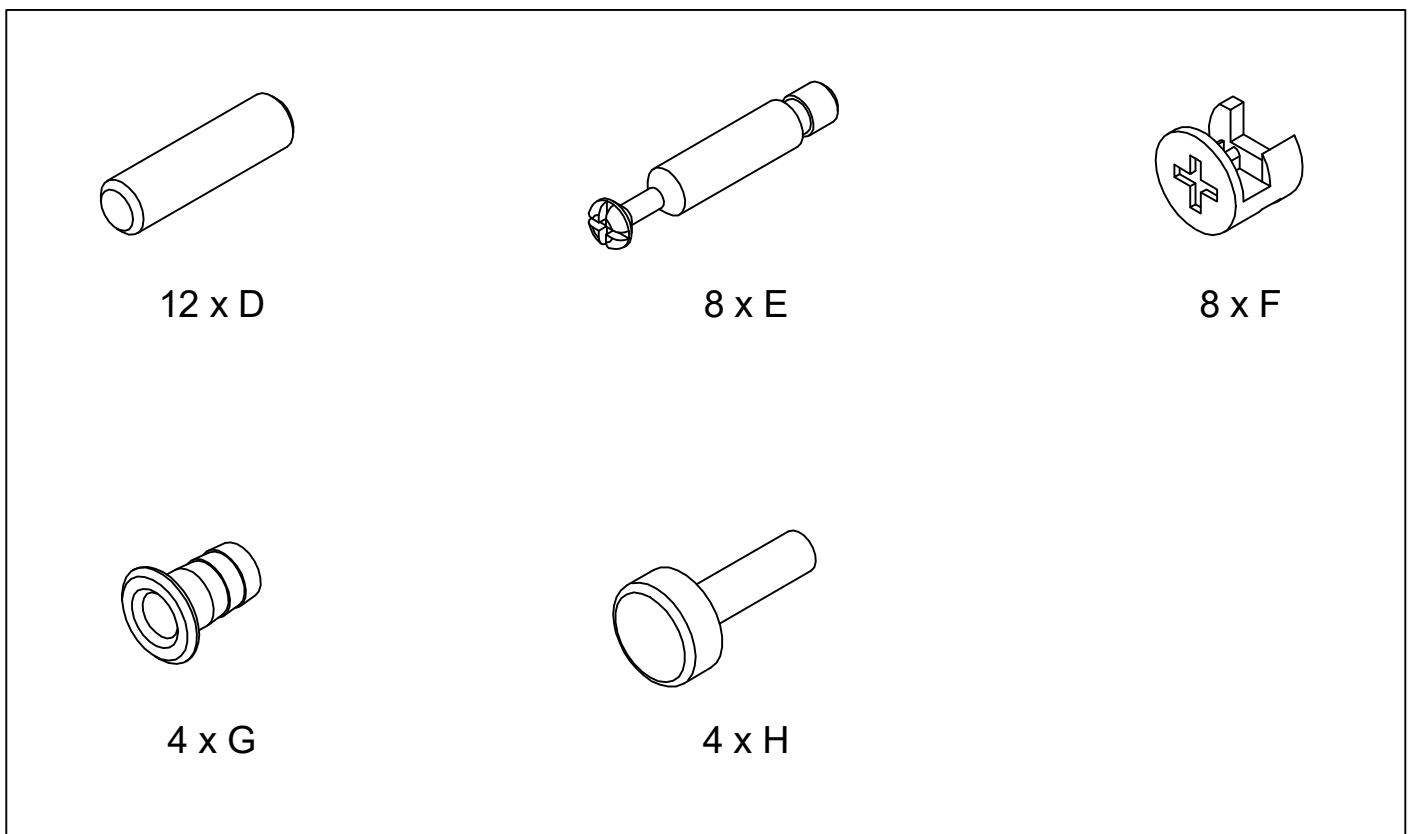
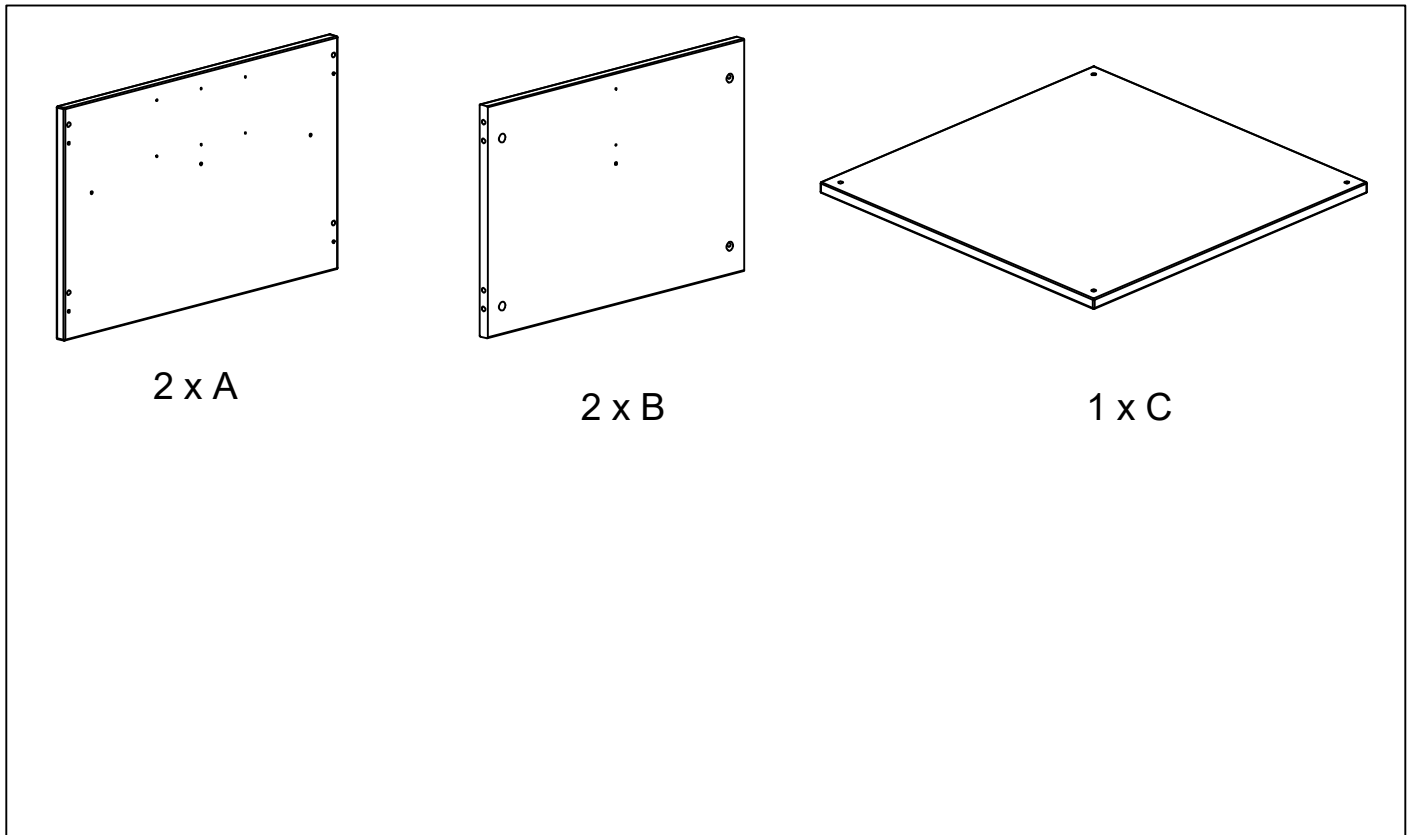
Maria XL Mini Podium



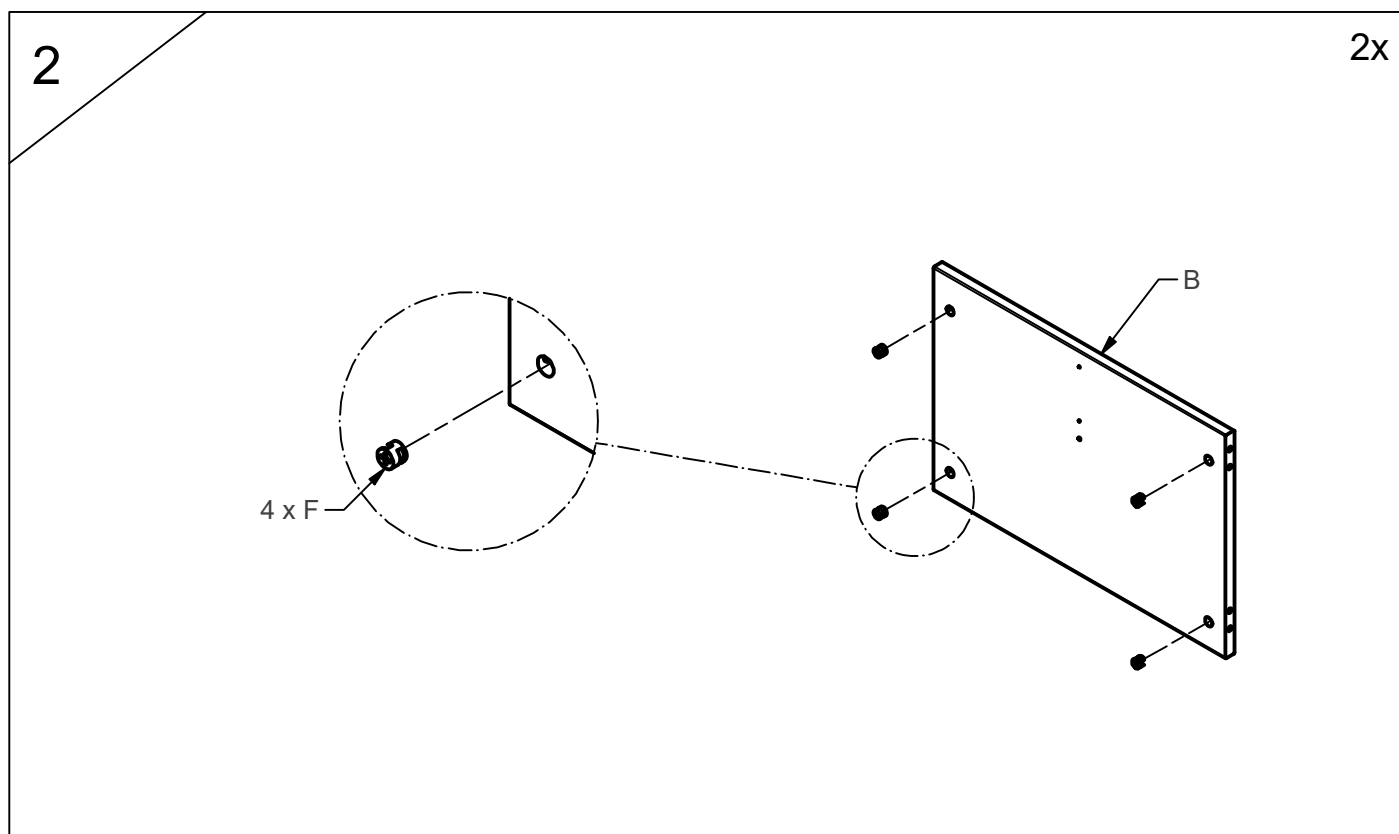
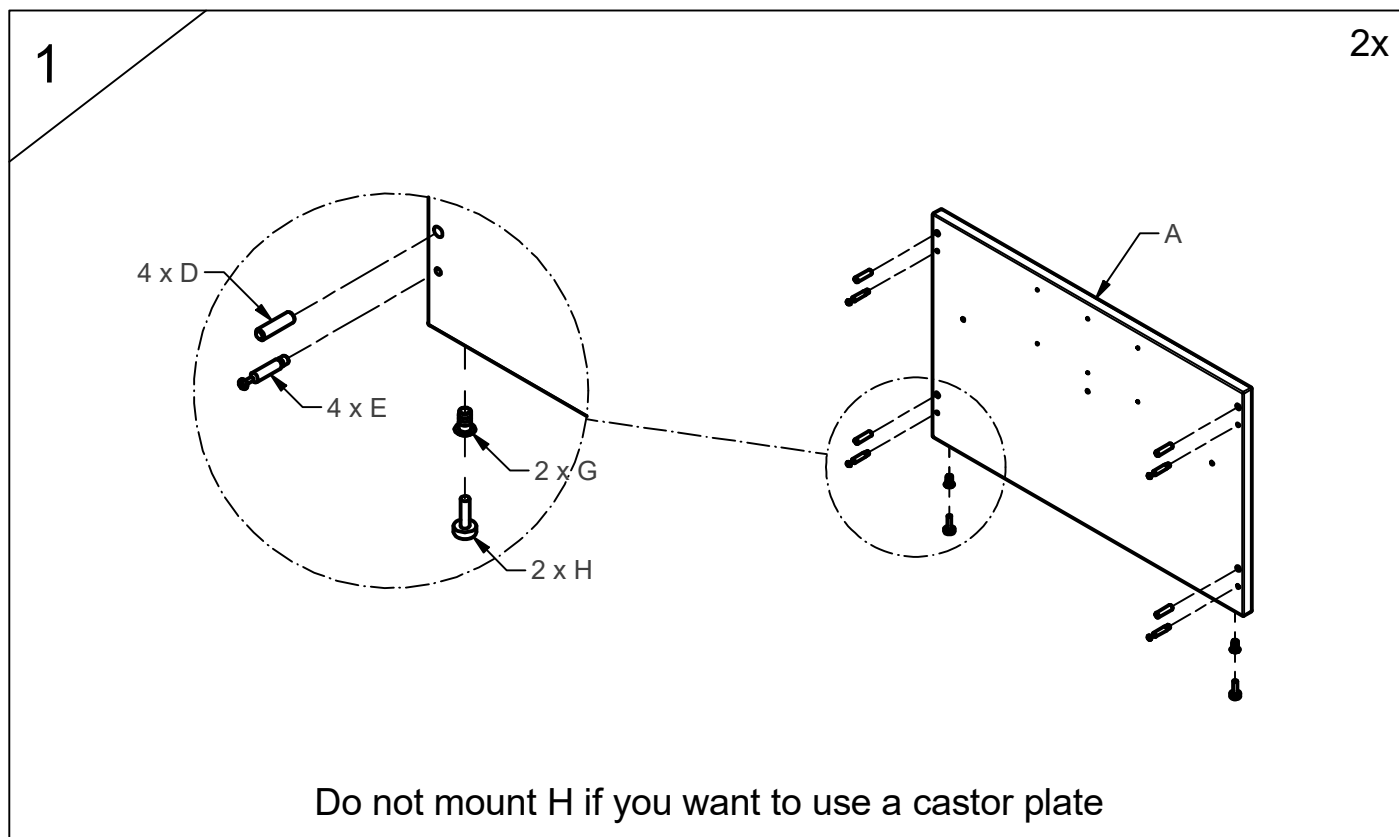
07.2019

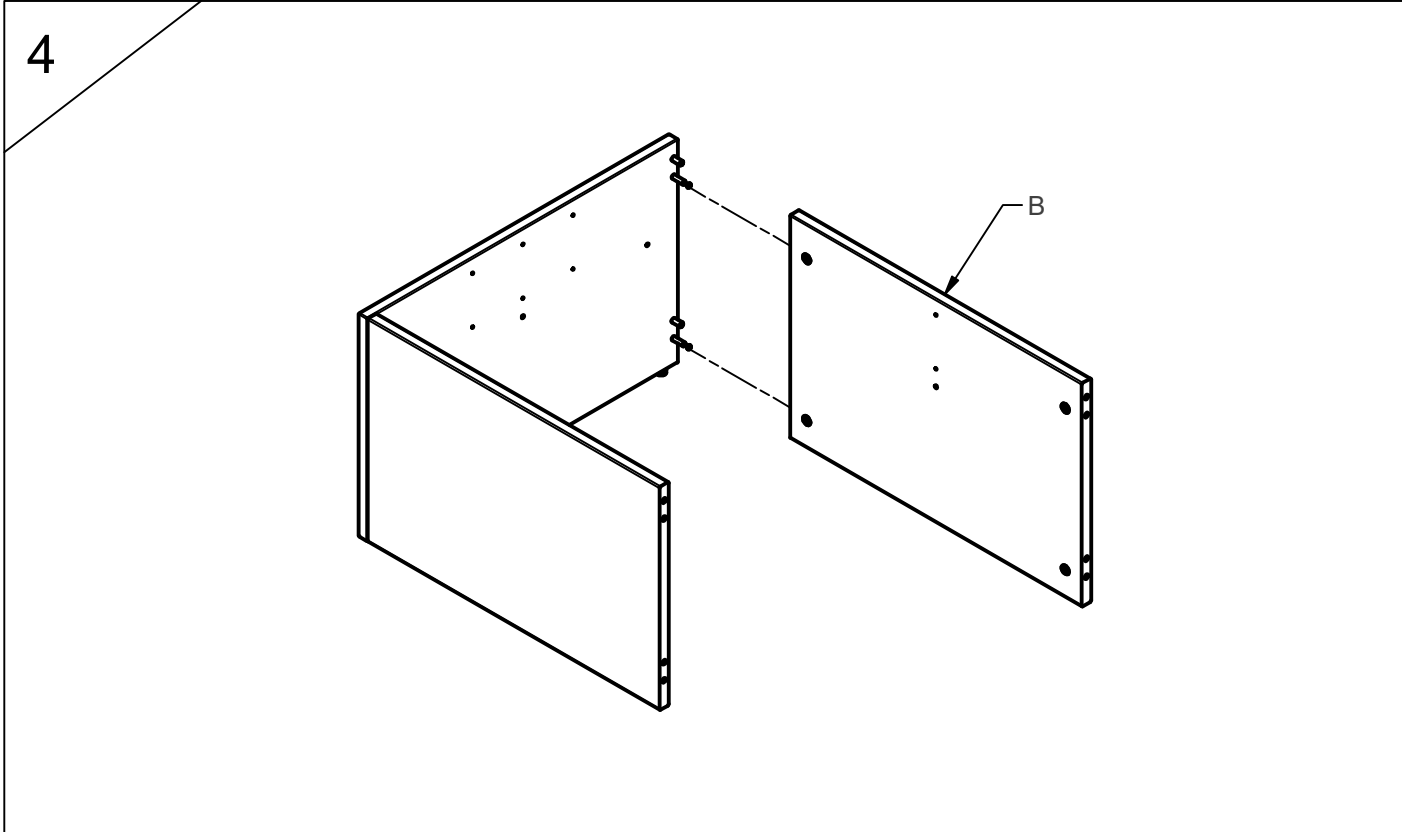
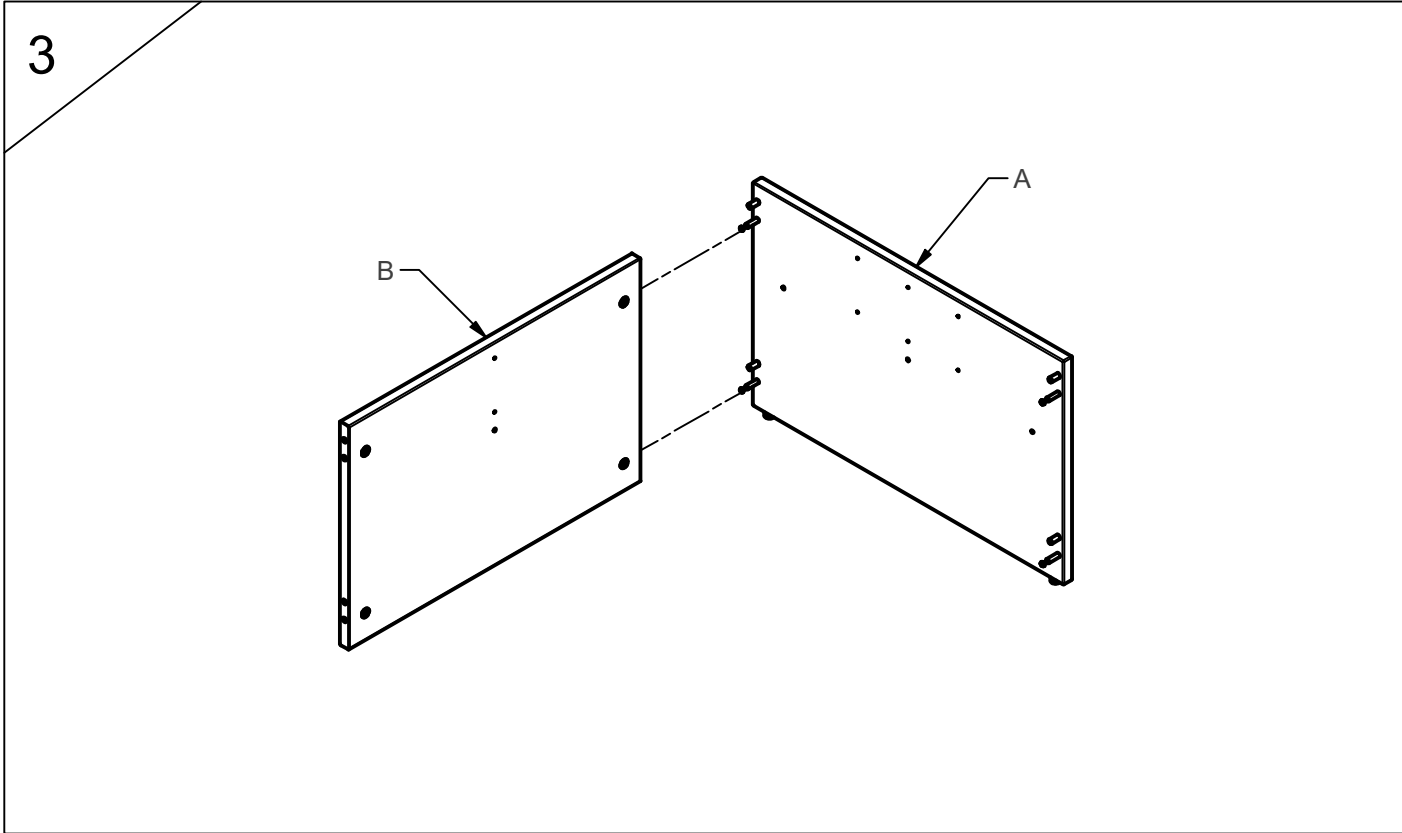
First check the contents to make sure that nothing is missing. Sort out the screws and fittings as shown.
Assemble your furniture step by step, as shown in the illustrations.

Maria XL Mini Podium

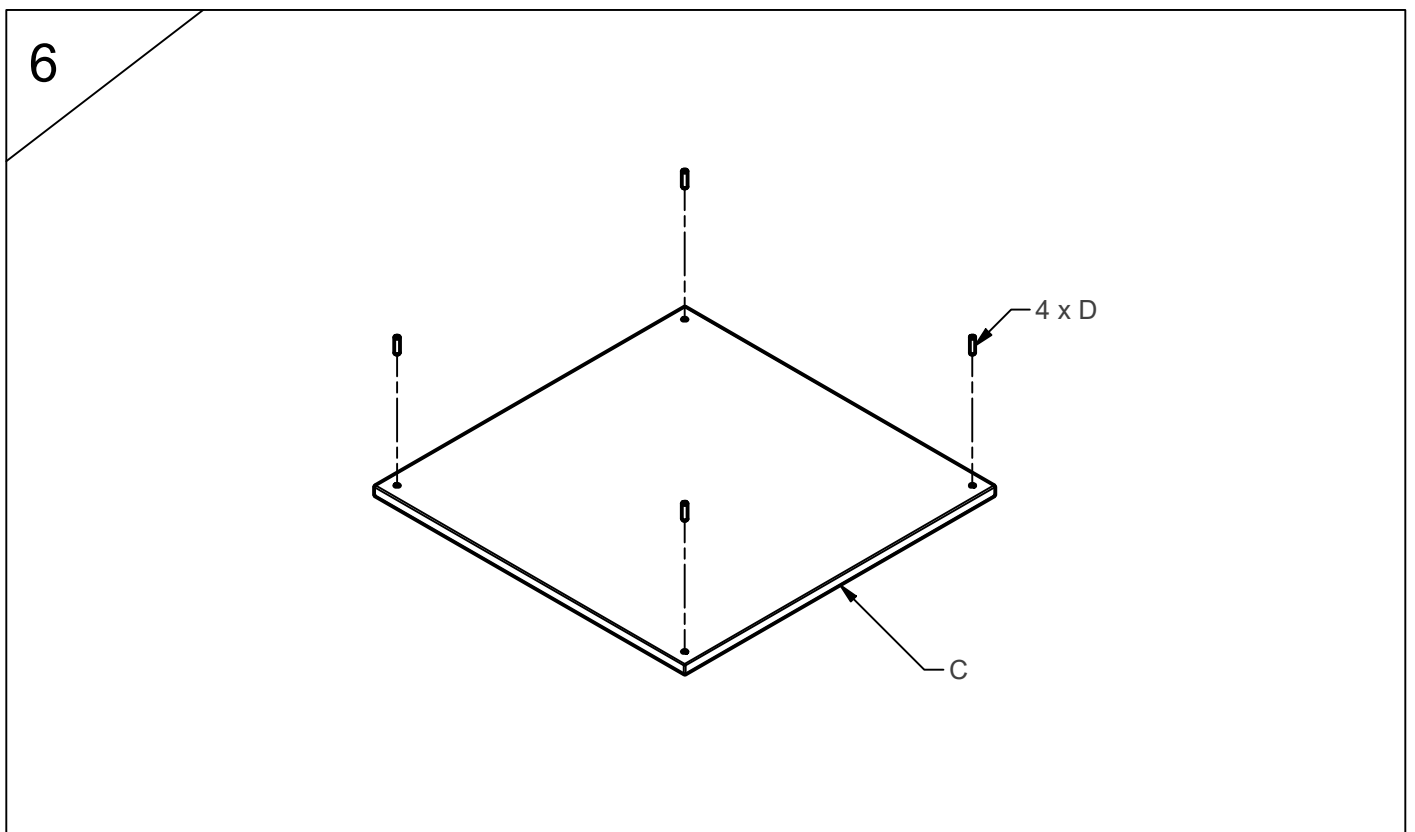
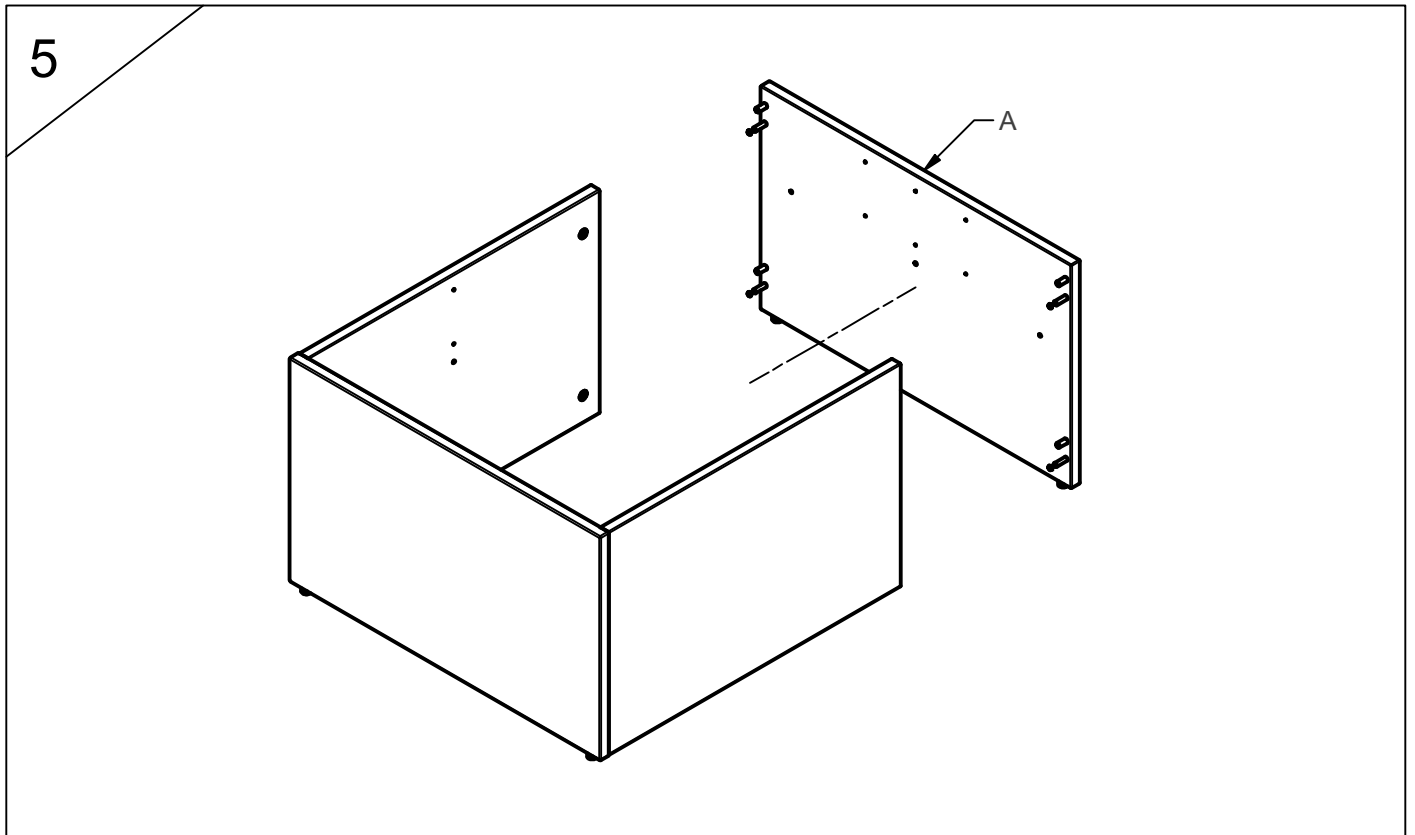


Maria XL Mini Podium

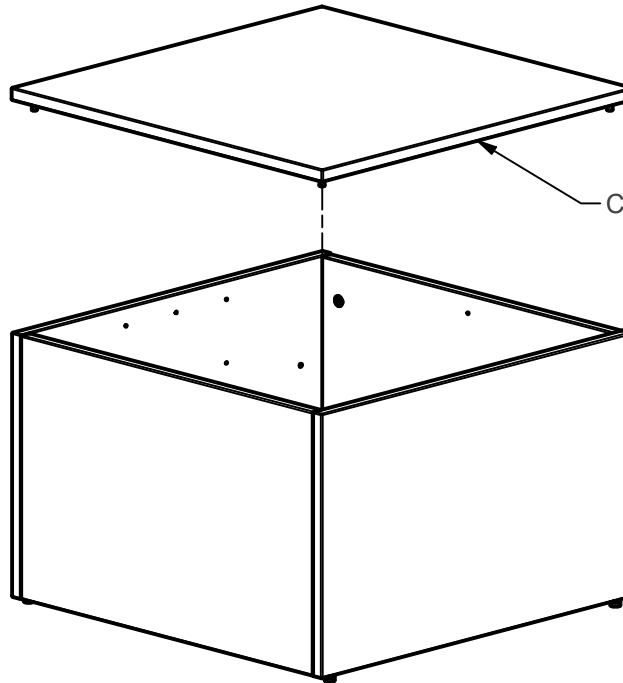




Maria XL Mini Podium



7



8

